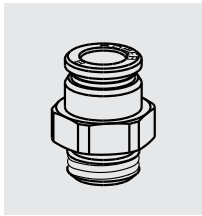


Push-in fittings



Straight male adaptor

Cylindrical

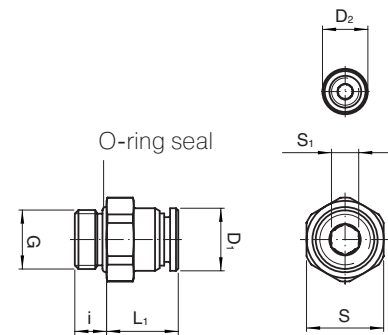
Material: brass, nickel plated

Seals: NBR

Temperature range: -20°C ...+80°C

Maximum pressure: 20 bar

Stainless steel (AISI 316) with FPM seal on request.



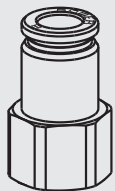
Hose-Ø	Port size G	L1	i	D1	D2	S1	S	Type
4	M 5	16,5	3,5	8		2,5	8	951M-4-M5
4	M 7	15	4,5	8	10	3		951M-4-M7-I
4	G 1/8"	14	5	10		3	13	951M-4-1/8
6	M 5	17,5	3,5	10		2,5	10	951M-6-M5
6	M 7	17	4,5	10	10	3		951M-6-M7-I
6	G 1/8"	15	5	12		4	13	951M-6-1/8
6	G 1/4"	14,5	7	12		4	17	951M-6-1/4
6	G 3/8"	12	8	12		4	19	951M-6-3/8
8	G 1/8"	20	5	14		5	14	951M-8-1/8
8	G 1/4"	16	7	14		6	17	951M-8-1/4
8	G 3/8"	16	8	14		6	19	951M-8-3/8
10	G 1/4"	22	7	16,5		7	17	951M-10-1/4
10	G 3/8"	17,5	8	16,5		8	19	951M-10-3/8
10	G 1/2"	15,5	9	16,5		8	24	951M-10-1/2
12	G 1/4"	25	7	20		7	22	951M-12-1/4
12	G 3/8"	19,5	8	20		10	22	951M-12-3/8
12	G 1/2"	18,5	9	20		10	24	951M-12-1/2
14	G 3/8"	25,5	8	22		10	22	951M-14-3/8
14	G 1/2"	19,5	9	22		12	24	951M-14-1/2
16	G 3/8"	26,5	8	24		10	24	951M-16-3/8
16	G 1/2"	19,5	9	24		12	24	951M-16-1/2
22	G 1/2"	32	9	32			32	951M-22-1/2
22	G 3/4"	31	11	32			32	951M-22-3/4

Other version, conical, self-sealing to be fasted using a hex set on request.

Push-in fittings

4.1.2

page 5

**Straight female adaptor**

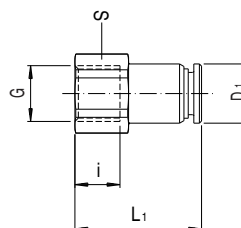
Cylindrical

Material: brass, nickel plated

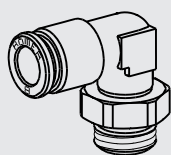
Seals: NBR

Temperature range: -20°C ...+80°C

Maximum pressure: 20 bar



Hose-∅	Port size G	L1	i	D1	S	Type
4	G 1/8"	23,5	8	10	13	946M-4-1/8
6	G 1/8"	25	8	12	13	946M-6-1/8
6	G 1/4"	27,5	10,5	12	17	946M-6-1/4
8	G 1/8"	27	8	14	14	946M-8-1/8
8	G 1/4"	29,5	10,5	14	17	946M-8-1/4
8	G 3/8"	30,5	11,5	14	19	946M-8-3/8
10	G 1/4"	32	10,5	16,5	17	946M-10-1/4
10	G 3/8"	33	11,5	16,5	19	946M-10-3/8
10	G 1/2"	36,5	15	16,5	24	946M-10-1/2

**Elbow male adaptor, swivel**

Cylindrical

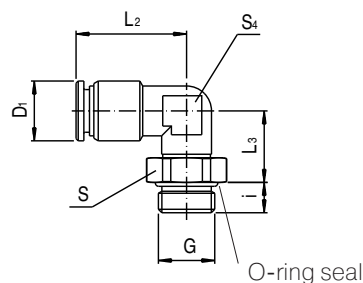
Material: brass, nickel plated

Seals: NBR

Temperature range: -20°C ...+80°C

Maximum pressure: 16 bar

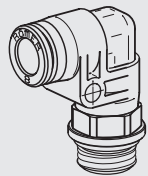
Stainless steel (AISI 316) with FPM seal on request.



Hose-∅	Port size G	L2	L3	i	D1	S4	S	Type
4	G 1/8"	20,5	13,5	5	10	9	13	930M-4-1/8
4	G 1/4"	22	15,5	7	10	10	17	930M-4-1/4
6	G 1/8"	22	13,5	5	12	9	13	930M-6-1/8
6	G 1/4"	23,5	15,5	7	12	10	17	930M-6-1/4
8	G 1/8"	25,5	16	5	14	12	13	930M-8-1/8
8	G 1/4"	27,5	17,5	7	14	13	17	930M-8-1/4
8	G 3/8"	27,5	19,5	8	14	13	19	930M-8-3/8
10	G 1/4"	29,5	17,5	7	16,5	13	17	930M-10-1/4
10	G 3/8"	29,5	19,5	8	16,5	13	19	930M-10-3/8
12	G 3/8"	32	19,5	8	20	17	19	930M-12-3/8
12	G 1/2"	32	21,5	9	20	17	24	930M-12-1/2

Conical version on request.

Push-in fittings



Elbow male adaptor, swivel

Cylindrical

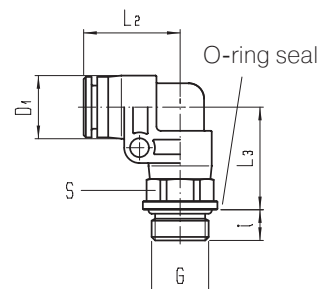
Material: POM, brass, nickel plated

Seals: NBR

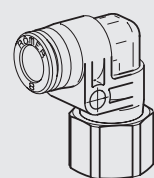
Temperature range: -20°C ...+60°C

Maximum pressure: 10 bar

PVDF material with FPM seal on request.



Hose-Ø	Port size G	L2	L3	i	D1	S	Type
4	M 5	17	9	3,5	8	8	930P-4-M5
4	G 1/8"	18,5	20,5	5	12,5	12	930P-4-1/8
4	G 1/4"	18,5	20,5	7	12,5	12	930P-4-1/4
6	M 5	18	10	3,5	10	8	930P-6-M5
6	G 1/8"	19	20,5	5	12,5	12	930P-6-1/8
6	G 1/4"	19	20,5	7	12,5	12	930P-6-1/4
8	G 1/8"	22	22	5	14,5	14	930P-8-1/8
8	G 1/4"	22	23,5	7	14,5	14	930P-8-1/4
8	G 3/8"	22	24	8	14,5	14	930P-8-3/8
10	G 1/4"	26	25,5	7	17	17	930P-10-1/4
10	G 3/8"	26	27	8	17	17	930P-10-3/8
12	G 3/8"	31	30,5	8	23	22	930P-12-3/8
12	G 1/2"	31	31	9	23	24	930P-12-1/2
14	G 1/2"	31	31	9	23	24	930P-14-1/2
16	G 3/8"	32	32	8	25	24	930P-16-3/8
16	G 1/2"	32	32	9	25	24	930P-16-1/2
22	G 1/2"	40	41	9	34	32	930P-22-1/2
22	G 3/4"	40	40	11	34	32	930P-22-3/4



Elbow female adaptor, swivel

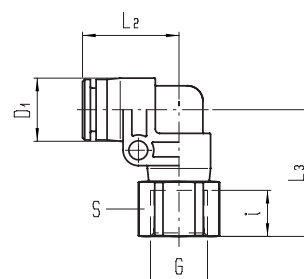
Cylindrical

Material: POM, brass, nickel plated

Seals: NBR

Temperature range: -20°C ...+60°C

Maximum pressure: 10 bar

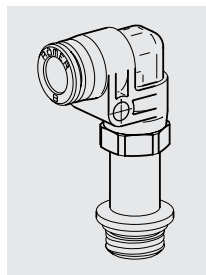


Hose-Ø	Port size G	L2	L3	i	D1	S	Type
4	G 1/8"	18,5	24	8	12,5	13	979P-4-1/8
4	G 1/4"	18,5	26,5	10,5	12,5	17	979P-4-1/4
6	G 1/8"	19	24	8	12,5	13	979P-6-1/8
6	G 1/4"	19	26,5	10,5	12,5	17	979P-6-1/4
8	G 1/8"	22	26,5	8	14,5	14	979P-8-1/8
8	G 1/4"	22	29	10,5	14,5	17	979P-8-1/4

Push-in fittings

4.1.4

page 7



Elbow male adaptor, swivel, long

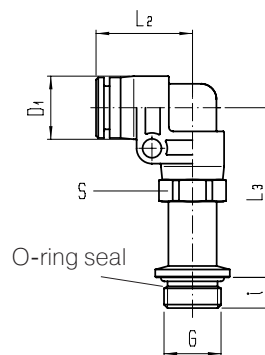
Cylindrical, long

Material: POM, brass, nickel plated

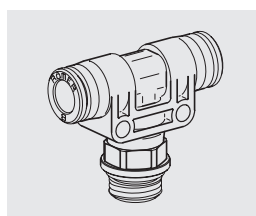
Seals: NBR

Temperature range: -20°C ...+60°C

Maximum pressure: 10 bar



Hose-Ø	Port size G	L2	L3	i	D1	S	Type
4	G 1/8"	18,5	34	5	12,5	12	980P-4-1/8
4	G 1/4"	18,5	34,5	7	12,5	12	980P-4-1/4
6	G 1/8"	19	34	5	12,5	12	980P-6-1/8
6	G 1/4"	19	34,5	7	12,5	12	980P-6-1/4
8	G 1/8"	22	37,5	5	14,5	14	980P-8-1/8
8	G 1/4"	22	39	7	14,5	14	980P-8-1/4
8	G 3/8"	22	39,5	8	14,5	14	980P-8-3/8
10	G 1/4"	26	12,5	7	17	17	980P-10-1/4
10	G 3/8"	26	15,5	8	17	17	980P-10-3/8



T male adaptor, swivel

Cylindrical

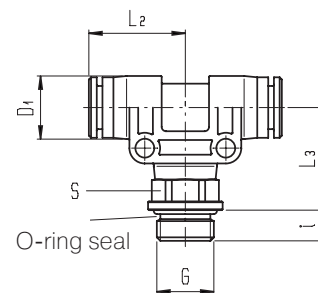
Material: POM, brass, nickel plated

Seals: NBR

Temperature range: -20°C ...+60°C

Maximum pressure: 10 bar

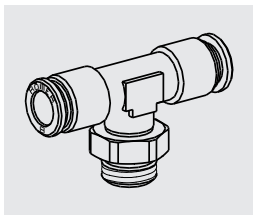
PVDF material with FPM seals on request.



Hose-Ø	Port size G	L2	L3	i	D1	S	Type
4	G 1/8"	18,5	20,5	5	12,5	12	921P-4-1/8
4	G 1/4"	18,5	20,5	7	12,5	12	921P-4-1/4
6	G 1/8"	19	20,5	5	12,5	12	921P-6-1/8
6	G 1/4"	19	20,5	7	12,5	12	921P-6-1/4
8	G 1/8"	22	22	5	14,5	14	921P-8-1/8
8	G 1/4"	22	23,5	7	14,5	14	921P-8-1/4
8	G 3/8"	22	24	8	14,5	14	921P-8-3/8
10	G 1/4"	26	25,5	7	17	17	921P-10-1/4
10	G 3/8"	26	27	8	17	17	921P-10-3/8
12	G 3/8"	31	30,5	8	23	22	921P-12-3/8
12	G 1/2"	31	31	9	23	24	921P-12-1/2
14	G 1/2"	31	31	9	23	24	921P-14-1/2
16	G 3/8"	32	32	8	25	24	921P-16-3/8
16	G 1/2"	32	32	9	25	24	921P-16-1/2
22	G 1/2"	40	41	9	34	32	921P-22-1/2
22	G 3/4"	40	40	11	34	32	921P-22-3/4



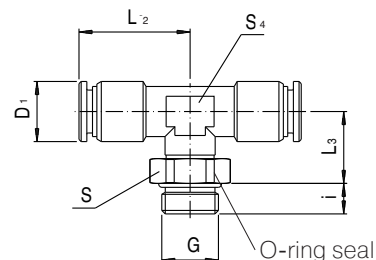
Push-in fittings



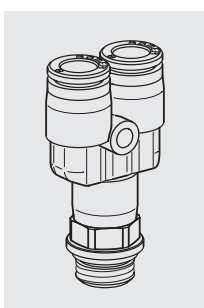
T male adaptor, swivel

Cylindrical
 Material: brass, nickel plated
 Seals: NBR
 Temperature range: -20°C ...+80°C
 Maximum pressure: 16 bar

Stainless steel (AISI 316) with FPM seals on request.



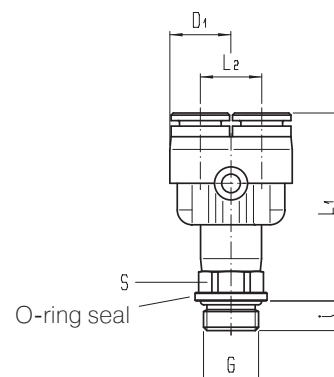
Hose-Ø	Port size G	L2	L3	i	D1	S4	S	Type
4	G 1/8"	20,5	13,5	5	10	9	13	921M-4-1/8
4	G 1/4"	22	15,5	7	10	10	17	921M-4-1/4
6	G 1/8"	22	13,5	5	12	9	13	921M-6-1/8
6	G 1/4"	23,5	15,5	7	12	10	17	921M-6-1/4
8	G 1/8"	25,5	16	5	14	12	13	921M-8-1/8
8	G 1/4"	27,5	17,5	7	14	13	17	921M-8-1/4
8	G 3/8"	27,5	19,5	8	14	13	19	921M-8-3/8
10	G 1/4"	29,5	17,5	7	16,5	13	17	921M-10-1/4
10	G 3/8"	29,5	19,5	8	16,5	13	19	921M-10-3/8
12	G 3/8"	32	19,5	8	20	17	19	921M-12-3/8



Y male adaptor, swivel

Cylindrical
 Material: POM, brass, nickel plated
 Seals: NBR
 Temperature range: -20°C ...+60°C
 Maximum pressure: 10 bar

PVDF material with FPM seals on request.

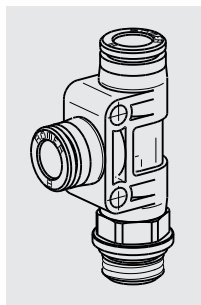


Hose-Ø	Port size G	L1	L2	i	D1	S	Type
4	G 1/8"	39	12,5	5	12,5	12	992P-4-1/8
4	G 1/4"	39	12,5	7	12,5	12	992P-4-1/4
6	G 1/8"	39,5	12,5	5	12,5	12	992P-6-1/8
6	G 1/4"	39,5	12,5	7	12,5	12	992P-6-1/4
8	G 1/8"	43	14,5	5	14,5	14	992P-8-1/8
8	G 1/4"	44,5	14,5	7	14,5	14	992P-8-1/4
8	G 3/8"	45	14,5	8	14,5	14	992P-8-3/8
10	G 1/4"	48,5	17	7	17	17	992P-10-1/4
10	G 3/8"	50	17	8	17	17	992P-10-3/8
12	G 3/8"	55	20,5	8	21	22	992P-12-3/8
12	G 1/2"	55,5	20,5	9	21	24	992P-12-1/2

Push-in fittings

4.1.6

page 9

**L male adaptor with off-set leg, swivel**

Cylindrical

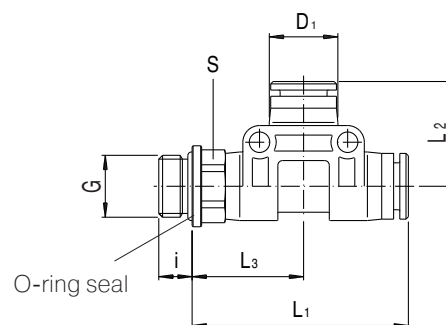
Material: POM, brass, nickel plated

Seals: NBR

Temperature range: -20°C ...+60°C

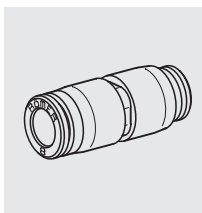
Maximum pressure: 10 bar

PVDF material with FPM seals on request.



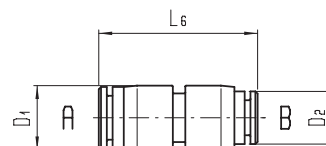
Hose-Ø	Port size G	L1	L2	L3	i	D1	S	Type
4	G 1/8"	39	18,5	20,5	5	12,5	12	922P-4-1/8
4	G 1/4"	39	18,5	20,5	7	12,5	12	922P-4-1/4
6	G 1/8"	39,5	19	20,5	5	12,5	12	922P-6-1/8
6	G 1/4"	39,5	19	20,5	7	12,5	12	922P-6-1/4
8	G 1/8"	44	22	22	5	14,5	14	922P-8-1/8
8	G 1/4"	45,5	22	23,5	7	14,5	14	922P-8-1/4
8	G 3/8"	46	22	24	8	14,5	14	922P-8-3/8
10	G 1/4"	51,5	26	25,5	7	17	17	922P-10-1/4
10	G 3/8"	53	26	27	8	17	17	922P-10-3/8
12	G 3/8"	61,5	31	30,5	8	23	22	922P-12-3/8
12	G 1/2"	62	31	31	9	23	24	922P-12-1/2
14	G 1/2"	62	31	31	9	23	24	922P-14-1/2
16	G 3/8"	64	32	32	8	25	24	922P-16-3/8
16	G 1/2"	64	32	32	9	25	24	922P-16-1/2
22	G 1/2"	81	40	41	9	34	32	922P-22-1/2
22	G 3/4"	80	40	40	11	34	32	922P-22-3/4

Push-in fittings



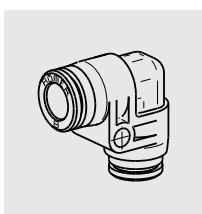
Straight connector

Material: POM
Seals: NBR
Temperature range: -20°C ...+60°C
Maximum pressure: 10 bar



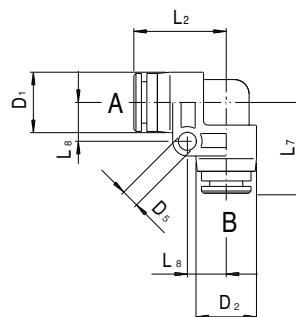
PVDF material with FPM seals on request.
Nickel plated brass version on request.

Hose-Ø A	Hose-Ø B	L6	D1	D2	Type
4	4	31	12,5	12,5	958P-4
6	4	31,5	12,5	12,5	958P-6-4
6	6	32	12,5	12,5	958P-6
8	4	35,5	14,5	14,5	958P-8-4
8	6	35,5	14,5	14,5	958P-8-6
8	8	36	14,5	14,5	958P-8
10	6	40	17	17	958P-10-6
10	8	40,5	17	17	958P-10-8
10	10	41	17	17	958P-10
12	10	46	23	23	958P-12-10
12	12	46	23	23	958P-12
14	12	46	23	23	958P-14-12
14	14	46	23	23	958P-14
16	12	47	25	25	958P-16-12
16	14	47	25	25	958P-16-14
16	16	47	25	25	958P-16
22	22	57	34	34	958P-22



Elbow connector

Material: POM
Seals: NBR
Temperature range: -20°C ...+60°C
Maximum pressure: 10 bar



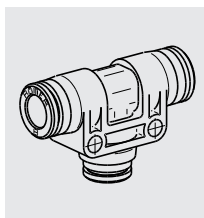
PVDF material with FPM seals on request.
Nickel plated brass version or stainless steel (AISI 316) with FPM seal on request.

Hose-Ø A	Hose-Ø B	L2	L7	L8	D1	D2	D5	Type
4	4	18,5	18,5	8,3	12,5	12,5	4,3	955P-4
6	4	19	18,5	8,3	12,5	12,5	4,3	955P-6-4
6	6	19	19	8,3	12,5	12,5	4,3	955P-6
8	6	22	21,5	9,3	14,5	14,5	4,3	955P-8-6
8	8	22	22	9,3	14,5	14,5	4,3	955P-8
10	6	26	25	12	17	17	4,3	955P-10-6
10	8	26	25,5	12	17	17	4,3	955P-10-8
10	10	26	26	12	17	17	4,3	955P-10
12	12	31	31	12	23	23	4,3	955P-12
14	14	31	31	12	23	23	4,3	955P-14
16	16	32	32	12	25	25	4,3	955P-16
22	22	40	40	16	34	34	5,4	955P-22

Push-in fittings

4.1.8

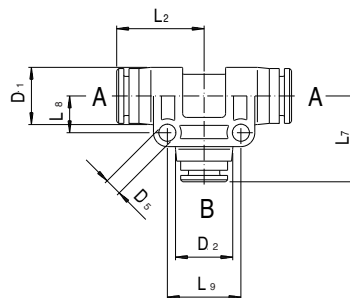
page 11



T - connector

Material: POM
 Seals: NBR
 Temperature range: -20°C ...+60°C
 Maximum pressure: 10 bar

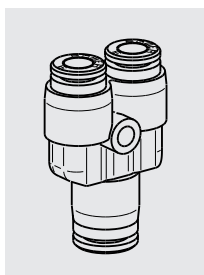
PVDF material with FPM seals on request.
 Nickel plated brass version or stainless steel (AISI 316) with FPM seal on request.



Hose-Ø A	Hose-Ø B	L2	L7	L8	L9	D1	D2	D5	Type
4	4	18,5	18,5	8,3	16,5	12,5	12,5	4,3	954P-4
4	6	18,5	19	8,3	16,5	12,5	12,5	4,3	954P-4-6
6	4	19	18,5	8,3	16,5	12,5	12,5	4,3	954P-6-4
6	6	19	19	8,3	16,5	12,5	12,5	4,3	954P-6
6	8	21,5	22	9,3	18,5	14,5	14,5	4,3	954P-6-8
8	6	22	21,5	9,3	18,5	14,5	14,5	4,3	954P-8-6
8	8	22	22	9,3	18,5	14,5	14,5	4,3	954P-8
8	10	25,5	26	12	24	17	17	4,3	954P-8-10
10	6	26	25	12	24	17	17	4,3	954P-10-6
10	8	26	25,5	12	24	17	17	4,3	954P-10-8
10	10	26	26	12	24	17	17	4,3	954P-10
10	12	31	31	12	24	23	23	4,3	954P-10-12
12	10	31	31	12	24	23	23	4,3	954P-12-10
12	12	31	31	12	24	23	23	4,3	954P-12
14	14	31	31	12	24	23	23	4,3	954P-14
16	16	32	32	12	24	25	25	4,3	954P-16
22	16	40	39,5	16	32	34	34	5,4	954P-22-16
22	22	40	40	16	32	34	34	5,4	954P-22



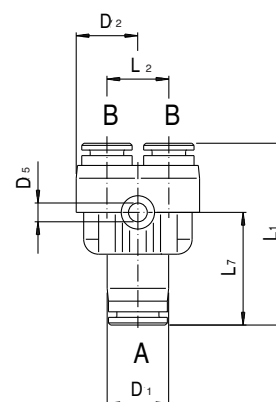
Push-in fittings



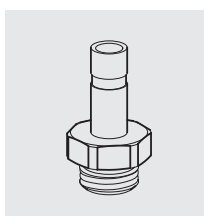
Y - connector

Material: POM
Seals: NBR
Temperature range: -20°C ...+60°C
Maximum pressure: 10 bar

PVDF material with FPM seals on request.



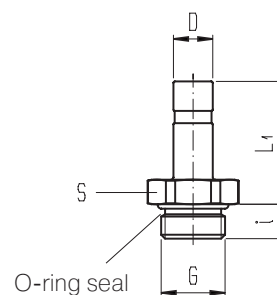
Hose-Ø A	Hose-Ø B	L1	L2	L7	D1	D2	D5	Type
4	4	37	12,5	22,5	12,5	12,5	3,3	982P-4
6	4	37,5	12,5	23	12,5	12,5	3,3	982P-6-4
6	6	38	12,5	23	12,5	12,5	3,3	982P-6
8	4	42,5	14,5	26,5	14,5	14,5	3,3	982P-8-4
8	6	43	14,5	26,5	14,5	14,5	4,3	982P-8-6
8	8	43	14,5	26,5	14,5	14,5	4,3	982P-8
10	8	48,5	17	31	17	17	4,3	982P-10-8
10	10	49	17	31	17	17	4,3	982P-10
12	8	54,5	20,5	35,5	23	23	4,3	982P-12-8
12	10	54,5	20,5	35,5	23	23	4,3	982P-12-10
12	12	54,5	20,5	35,5	23	23	4,3	982P-12



Stem Adaptor

Cylindrical
Material: brass
Seals: NBR
Temperature range: -20°C ...+80°C
Maximum pressure: 20 bar

Stainless steel (AISI 316) with FPM
O-ring on request.

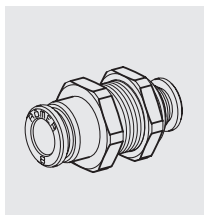


Connector D	Port size G	L1	i	S	Type
6	G 1/8"	22,5	5	13	908M-6-1/8
6	G 1/4"	23	7	17	908M-6-1/4
8	G 1/4"	25	7	17	908M-8-1/4
10	G 1/4"	29	7	17	908M-10-1/4
10	G 3/8"	29	8	19	908M-10-3/8
12	G 3/8"	31	8	19	908M-12-3/8
12	G 1/2"	31,5	9	24	908M-12-1/2
14	G 1/2"	32	9	24	908M-14-1/2
16	G 1/2"	32,5	9	24	908M-16-1/2

Push-in fittings

4.1.10

page 13



Bulkhead connector

Material: brass, nickel plated

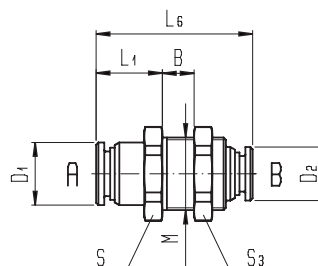
Seals: NBR

Temperature range: -20°C ...+80°C

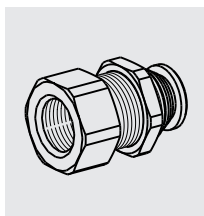
Maximum pressure: 20 bar

POM material on request.

PVDF material on request.



Hose-Ø A	Hose-Ø B	M	B	L1	L6	D1	D2	S1	S3	Type
4	4	M12x1	1-10	11	30	10	10	14	17	959M-4
6	4	M14x1	1-10	12,5	31,5	12	10	17	17	959M-6-4
6	6	M14x1	1-10	13,5	32,5	12	12	17	17	959M-6
8	6	M16x1	1-10	14,5	34,5	14	12	19	19	959M-8-6
8	8	M16x1	1-10	16,5	36,5	14	14	19	19	959M-8
10	8	M20x1	1-10	19	39	16,5	14	22	24	959M-10-8
10	10	M20x1	1-10	20,5	42	16,5	16,5	22	24	959M-10
12	12	M22x1,5	1-10	22	45,5	20	20	24	27	959M-12
14	14	M24x1,5	1-10	23	46,5	22	22	27	27	959M-14



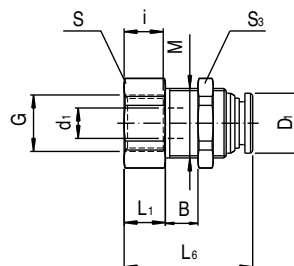
Bulkhead adaptor

Material: brass, nickel plated

Seals: NBR

Temperature range: -20°C ...+80°C

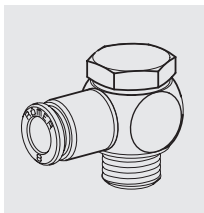
Maximum pressure: 20 bar



Hose-Ø	Port size G	M	B	L1	I	L6	d1	D1	S	S3	Type
4	G 1/8"	M12x1	1-9	6,5	8	25	3	10	14	17	945M-4-1/8
6	G 1/8"	M14x1	1-9	6,5	8	25,5	5	12	17	17	945M-6-1/8
6	G 1/4"	M14x1	1-9	12	10,5	31	5	12	17	17	945M-6-1/4
8	G 1/8"	M16x1	1-9	7	8	27	7	14	19	19	945M-8-1/8
8	G 1/4"	M16x1	1-9	9,5	10,5	29,5	7	14	19	19	945M-8-1/4
10	G 1/4"	M20x1	1-9	11	10,5	32	9	16,5	22	24	945M-10-1/4
10	G 3/8"	M20x1	1-9	12	11,5	33	9	16,5	22	24	945M-10-3/8
22	G 3/4"	M33x1,5	1-9	18	18	48	20	32	36	41	945M-22-3/4

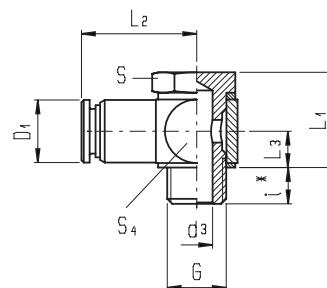


Push-in fittings

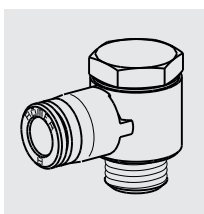


Elbow male adaptor, turn-able

Cylindrical
Material: brass, nickel plated
Seals: NBR, PA
Temperature range: -20°C ...+80°C
Maximum pressure: 20 bar

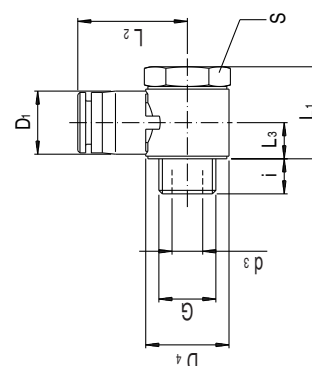


Hose-Ø	Port size G	L1	i	L2	L3	d3	D1	S4	S	Type
4	M 5	14	4	17	5,3	2	8	9	8	952M-4-M5N
4	G 1/8"	20	6,5	20,5	8	5	10	14	14	952M-4-1/8N
6	M 5	15	4	18,5	5,8	2	10	10	8	952M-6-M5N
6	G 1/8"	20	6,5	21,5	8	5	12	14	14	952M-6-1/8N
6	G 1/4"	21	8	23,5	8	7	12	18	17	952M-6-1/4N
8	G 1/8"	20	6,5	23,5	8	5	14	14	14	952M-8-1/8N
8	G 1/4"	21	8	25,5	8	7	14	18	17	952M-8-1/4N



Elbow male adaptor, turn-able

Cylindrical
Material: POM, brass, nickel plated
Seals: NBR
Temperature range: -20°C ...+60°C
Maximum pressure: 10 bar

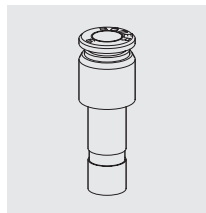


Hose-Ø	Port size G	L1	i	L2	L3	d3	D1	D4	S	Type
4	M 5	14	4	17	5,3	2	8	9	8	952P-4-M5
4	G 1/8"	20	6,5	22	8	5	14,5	15	14	952P-4-1/8
6	M 5	14	4	18	5,3	2	10	9	8	952P-6-M5
6	G 1/8"	20	6,5	22,5	8	5	14,5	15	14	952P-6-1/8
6	G 1/4"	21	8	24,5	8	7	14,5	19	17	952P-6-1/4
8	G 1/8"	20	6,5	23	8	5	14,5	15	14	952P-8-1/8
8	G 1/4"	21	8	25	8	7	14,5	19	17	952P-8-1/4
8	G 3/8"	26,5	9	28,5	11	9,5	17	22,5	19	952P-8-3/8
10	G 1/4"	25	8	27,5	10	7	17	19	17	952P-10-1/4
10	G 3/8"	26,5	9	29	11	9,5	17	22,5	19	952P-10-3/8
10	G 1/2"	27	9	29	11	12	21	27	27	952P-10-1/2
12	G 3/8"	26,5	9	31	11	9,5	21	22,5	19	952P-12-3/8
12	G 1/2"	27	10	33	11	12	21	27	27	952P-12-1/2
14	G 1/2"	31,5	10	34	13	12	25	27	27	952P-14-1/2
16	G 1/2"	31,5	10	34	13	12	25	27	27	952P-16-1/2

Push-in fittings

4.1.12

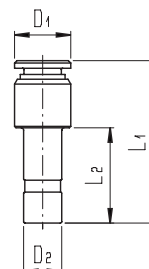
page 15



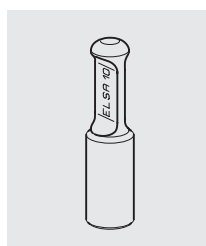
Reducer

Material: brass, nickel plated
 Temperature range: -20°C ...+80°C
 Maximum pressure: 20 bar

* approximately when assembled into a push-in fitting.

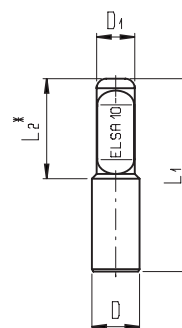


Hose-Ø	Connector D2	I	L1	L5	D1	Type
4	6	18	31,5	17	10	947M-4-D6
6	8	20	34	18,5	12	947M-6-D8
6	10	24	38	20	12	947M-6-D10
8	10	24	39	21	14	947M-8-D10
8	12	26	41	21,5	14	947M-8-D12
8	14	26,5	40	19,5	14	947M-8-D14
10	12	26	42,5	23	16,5	947M-10-D12
10	14	26,5	43	22,5	16,5	947M-10-D14
12	14	26,5	50	29,5	20	947M-12-D14



Plug

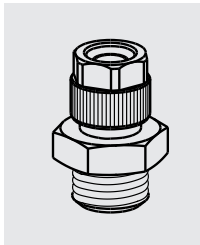
Material: POM



Diameter	L1	L2	D1	Type
4	31,5	16,5	6	971P-4
6	34,5	19,5	8	971P-6
8	37,5	20	8	971P-8
10	40,5	21	8	971P-10
12	44	22	8	971P-12
14	44,5	23	8	971P-14
16	45	24	8	971P-16



Push-on fittings



Straight male adaptor

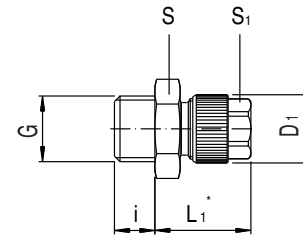
Cylindrical

Material: brass, nickel plated

Minimum Temp.: -40°C

Maximum pressure: 25 bar

Stainless steel (AISI 316) on request.



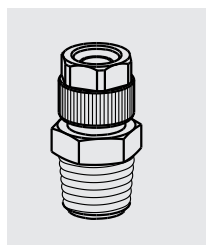
* L1 = approximate dimension

Hose-Ø	Port size G	L1	i	D1	S1	S	Type
4,3/3	M5	14,5	4	8	7	8	151M-4,3/3-M5
4,3/3	G 1/8"	15,5	6	8	7	13	151M-4,3/3-1/8
5/3	M5	14,5	4	8	7	8	151M-5/3-M5
5/3	M6	14,5	5	8	7	8	151M-5/3-M6
5/3	G 1/8"	15,5	6	8	7	13	151M-5/3-1/8
6/4	M5	15,5	4	9	8	8	151M-6/4-M5
6/4	M6	15,5	5	9	8	8	151M-6/4-M6
6/4	G 1/8"	18,5	6	11,5	10	13	151M-6/4-1/8
6/4	G 1/4"	19	8	11,5	10	17	151M-6/4-1/4
6/4	G 3/8"	19	9	11,5	10	19	151M-6/4-3/8
6/4	G 1/2"	19,5	10	11,5	10	24	151M-6/4-1/2
8/6	G 1/8"	18,5	6	13,5	12	13	151M-8/6-1/8
8/6	G 1/4"	19	8	13,5	12	17	151M-8/6-1/4
8/6	G 3/8"	19	9	13,5	12	19	151M-8/6-3/8
8/6	G 1/2"	19,5	10	13,5	12	24	151M-8/6-1/2
10/8	G 1/8"	20	6	15,5	13	14	151M-10/8-1/8
10/8	G 1/4"	20,5	8	15,5	13	17	151M-10/8-1/4
10/8	G 3/8"	20,5	9	15,5	13	19	151M-10/8-3/8
10/8	G 1/2"	21	10	15,5	13	24	151M-10/8-1/2
12/9	G 1/4"	22	8	17,5	15	17	151M-12/9-1/4
12/9	G 3/8"	22	9	17,5	15	19	151M-12/9-3/8
12/10	G 3/8"	22	9	17,5	15	19	151M-12/10-3/8
12/10	G 1/2"	22,5	10	17,5	15	24	151M-12/10-1/2

Push-on fittings

4.2.2

page 17



Straight male adaptor

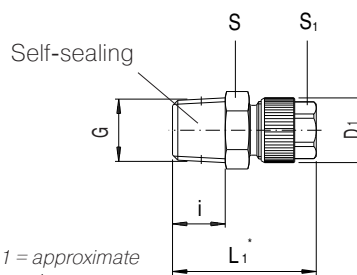
Conical, self sealing

Material: brass, nickel plated

Minimum Temp.: -40°C

Maximum pressure: 25 bar

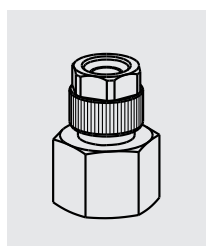
Stainless steel (AISI 316) on request.



* L1 = approximate dimension

Hose-Ø	Port size G	L1	i	D1	S1	S	Type
6/4	1/8" K	26	8	11,5	10	12	151M-6/4-D1/8K
6/4	1/4" K	30	11	11,5	10	14	151M-6/4-D1/4K
8/6	1/8" K	26	8	13,5	12	12	151M-8/6-D1/8K
8/6	1/4" K	30	11	13,5	12	14	151M-8/6-D1/4K
8/6	3/8" K	31	12	13,5	12	17	151M-8/6-D3/8K
10/8	1/4" K	32	11	15,5	13	14	151M-10/8-D1/4K

Kérésre, öntömítő anyag nélkül is szállítható.



Straight female adaptor

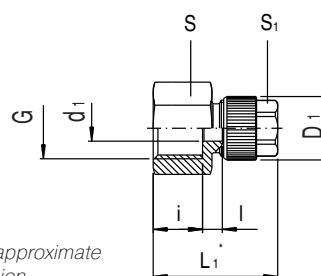
Cylindrical

Material: brass, nickel plated

Minimum Temp.: -40°C

Maximum pressure: 25 bar

Stainless steel (AISI 316) on request.

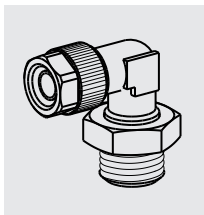


* L1 = approximate dimension

Hose-Ø	Port size G	L1	i	l	d1	D1	S1	S	Type
4,3/3	G 1/8"	21	8		2,3	8	7	13	146M-4,3/3-1/8
5/3	G 1/8"	21	8		2,3	8	7	13	146M-5/3-1/8
6/4	G 1/8"	24	8		5,5	11,5	10	13	146M-6/4-1/8
6/4	G 1/4"	26,5	10,5	7	5,5	11,5	10	17	146M-6/4-1/4
8/6	G 1/8"	24	8	7	5,5	13,5	12	13	146M-8/6-1/8
8/6	G 1/4"	26,5	10,5	7	5,5	13,5	12	17	146M-8/6-1/4
8/6	G 3/8"	27,5	11,5	7	6,5	13,5	12	19	146M-8/6-3/8
8/6	G 1/2"	31,5	15	7	6,5	13,5	12	24	146M-8/6-1/2
10/8	G 1/4"	28	10,5		7	15,5	13	17	146M-10/8-1/4
10/8	G 3/8"	29	11,5		7	15,5	13	19	146M-10/8-3/8
10/8	G 1/2"	33	15		7	15,5	13	24	146M-10/8-1/2
12/9	G 3/8"	31	11,5		7,5	17,5	15	19	146M-12/9-3/8



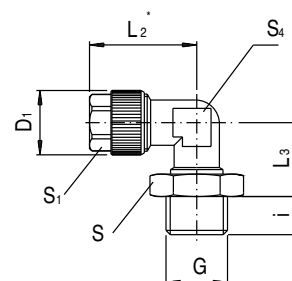
Push-on fittings



Elbow male adaptor, swivel

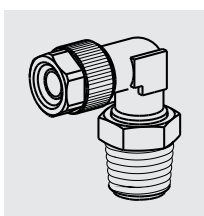
Cylindrical
Material: brass, nickel plated
Seals: NBR
Temperature range: -20°C ... +80°C
Maximum pressure: 12 bar

Stainless steel (AISI 316) with FPM seals on request.



* L2 = approximate dimension

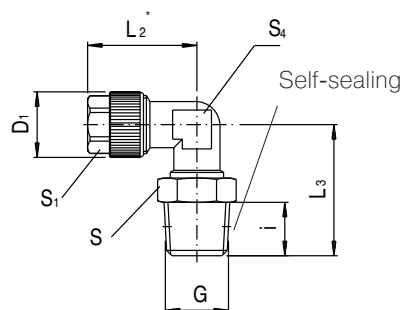
Hose-Ø	Port size G	L2	L3	i	D1	S1	S4	S	Type
6/4	G 1/8"	22,5	14,5	6	11,5	10	10	13	130M-6/4-1/8
6/4	G 1/4"	22,5	14,5	8	11,5	10	10	17	130M-6/4-1/4
8/6	G 1/8"	22,5	14,5	6	13,5	12	10	13	130M-8/6-1/8
8/6	G 1/4"	22,5	14,5	8	13,5	12	10	17	130M-8/6-1/4
10/8	G 1/4"	23,5	14,5	8	13,5	13	10	17	130M-10/8-1/4



Elbow male adaptor, swivel

Conical, self sealing
Material: brass, nickel plated
Seals: NBR
Temperature range: -20°C ... +80°C
Maximum pressure: 12 bar

Stainless steel (AISI 316) with FPM seals on request.



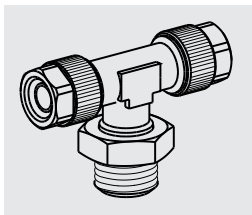
* L2 = approximate dimension

Hose-Ø	Port size G	L2	L3	i	D1	S1	S4	S	Type
6/4	1/8" K	22,5	22,5	7,5	11,5	10	10	13	130M-6/4-D1/8K
6/4	1/4" K	22,5	22,5	11	11,5	10	10	14	130M-6/4-D1/4K
8/6	1/8" K	22,5	22,5	7,5	13,5	12	10	13	130M-8/6-D1/8K
8/6	1/4" K	22,5	22,5	11	13,5	12	10	14	130M-8/6-D1/4K
10/8	1/4" K	23,5	25,5	11	15,5	13	10	14	130M-10/8-D1/4K

Push-on fittings

4.2.4

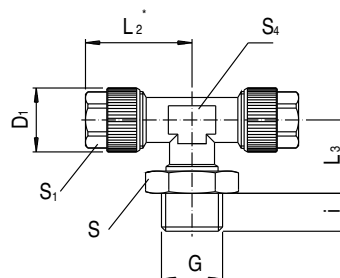
page 19



T male adaptor, swivel

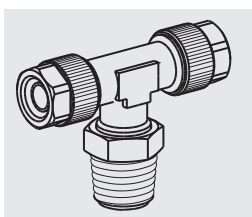
Cylindrical
 Material: brass, nickel plated
 Seals: NBR
 Temperature range: -20°C ... +80°C
 Maximum pressure: 12 bar

Stainless steel (AISI 316) with FPM seals on request.



* L2 = approximate dimension

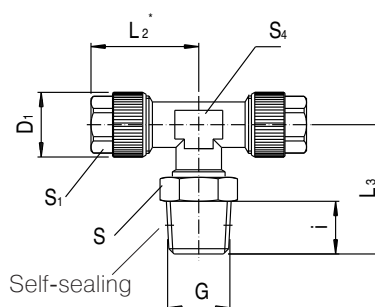
Hose-Ø	Port size G	L2	L3	i	D1	S1	S4	S	Type
6/4	G 1/8"	22,5	14,5	6	11,5	10	10	13	121M-6/4-1/8
6/4	G 1/4"	22,5	14,5	8	11,5	10	10	17	121M-6/4-1/4
8/6	G 1/8"	22,5	14,5	6	13,5	12	10	13	121M-8/6-1/8
8/6	G 1/4"	22,5	14,5	8	13,5	12	10	17	121M-8/6-1/4
10/8	G 1/4"	24	14,5	8	15,5	13	10	17	121M-10/8-1/4



T male adaptor, swivel

Conical, self sealing
 Material: brass, nickel plated
 Seals: NBR
 Temperature range: -20°C ... +80°C
 Maximum pressure: 12 bar

Stainless steel (AISI 316) with FPM seals on request.

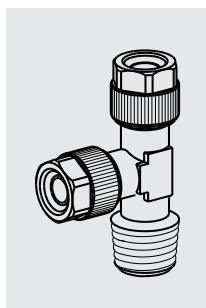


* L2 = approximate dimension

Hose-Ø	Port size G	L2	L3	i	D1	S1	S4	S	Type
6/4	1/8" K	22,5	21,5	7,5	11,5	10	10	13	121M-6/4-D1/8K
6/4	1/4" K	22,5	25,5	11	11,5	10	10	14	121M-6/4-D1/4K
8/6	1/8" K	22,5	21,5	7,5	13,5	12	10	13	121M-8/6-D1/8K
8/6	1/4" K	22,5	25,5	11	13,5	12	10	14	121M-8/6-D1/4K
10/8	1/4" K	24	25,5	11	15,5	13	10	14	121M-10/8-D1/4K



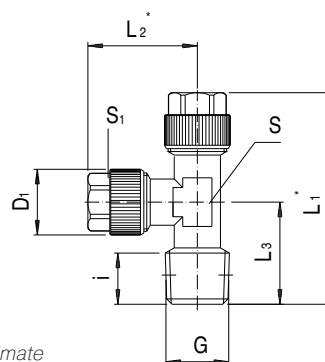
Push-on fittings



L male adaptor with off-set leg

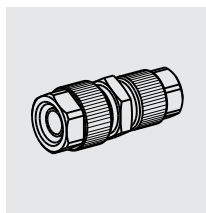
Conical
 Material: brass, nickel plated
 Minimum Temp.: -40°C
 Maximum pressure: 25 bar

Stainless steel (AISI 316) on request.



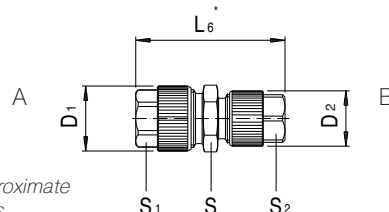
* L1 and L2 = approximate dimensions

Hose-Ø	Port size G	L1	L2	L3	i	D1	S1	S	Type
4,3/3	1/8" K	35	18	17	7,5	8	7	8	142M-4,3/3-1/8K
5/3	1/8" K	35	18	17	7,5	8	7	8	142M-5/3-1/8K
6/4	1/8" K	38,5	21,5	17	7,5	11,5	10	8	142M-6/4-1/8K
6/4	1/4" K	43,5	22,5	21	10,5	11,5	10	10	142M-6/4-1/4K
8/6	1/8" K	38,5	21,5	17	7,5	13,5	12	8	142M-8/6-1/8K
8/6	1/4" K	43,5	22,5	21	10,5	13,5	12	10	142M-8/6-1/4K
10/8	1/8" K	41	24	17	7,5	15,5	13	10	142M-10/8-1/8K
10/8	1/4" K	45	24	21	10,5	15,5	13	10	142M-10/8-1/4K
10/8	3/8" K	54	29	25	11,5	15,5	13	13	142M-10/8-3/8K
12/10	3/8" K	54	29	25	11,5	17,5	15	13	142M-12/10-3/8K



Straight connector

Material: brass, nickel plated
 Minimum Temp.: -40°C
 Maximum pressure: 25 bar



* L6 = approximate dimensions

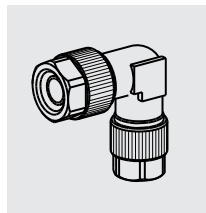
Hose-Ø A	Hose-Ø B	L6	D1	S1	D2	S2	S	Type
4,3/3	4,3/3	25	8	7	8	7	8	158M-4,3/3
5/3	4,3/3	25	8	7	8	7	8	158M-5/3-4,3/3
5/3	5/3	25	8	7	8	7	8	158M-5/3
6/4	4,3/3	29	11,5	10	8	8	12	158M-6/4-4,3/3
6/4	5/3	29	11,5	10	8	8	12	158M-6/4-5/3
6/4	6/4	31	11,5	10	11,5	10	12	158M-6/4
8/6	6/4	31	13,5	12	11,5	10	12	158M-8/6-6/4
8/6	8/6	31	13,5	12	13,5	12	12	158M-8/6
10/8	6/4	34	15,5	13	11,5	10	14	158M-10/8-6/4
10/8	8/6	34	15,5	13	13,5	12	14	158M-10/8-8/6
10/8	10/8	35	15,5	13	15,5	13	14	158M-10/8
12/10	12/10	38	17,5	15	17,5	15	17	158M-12/10



Push-on fittings

4.2.6

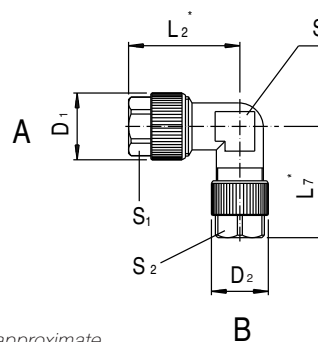
page 21



Elbow connector

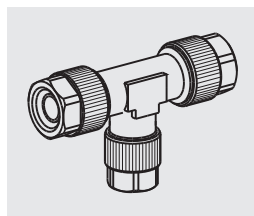
Material: brass, nickel plated
 Minimum Temp.: -40°C
 Maximum pressure: 25 bar

Stainless steel (AISI 316) on request.



* L2 and L7 = approximate dimensions

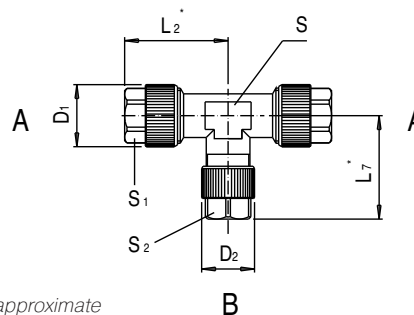
Hose-Ø A	Hose-Ø B	L2	L7	D1	S1	D2	S2	S	Type
4,3/3	4,3/3	18	18	8	7	8	7	8	155M-4,3/3
5/3	4,3/3	18	18	8	7	8	7	8	155M-5/3-4,3/3
5/3	5/3	18	18	8	7	8	7	8	155M-5/3
6/4	6/4	21,5	21,5	11,5	10	11,5	10	8	155M-6/4
8/6	6/4	22,5	22,5	13,5	12	11,5	10	10	155M-8/6-6/4
8/6	8/6	22,5	22,5	13,5	12	13,5	12	10	155M-8/6
10/8	10/8	24	24	15,5	13	15,5	13	10	155M-10/8
12/10	12/10	29	29	17,5	15	17,5	15	13	155M-12/10



T connector

Material: brass, nickel plated
 Minimum Temp.: -40°C
 Maximum pressure: 25 bar

Stainless steel (AISI 316) on request.



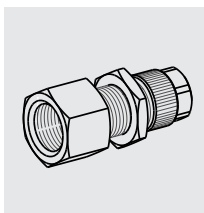
* L2 and L7 = approximate dimensions

Hose-Ø A	Hose-Ø B	L2	L7	D1	S1	D2	S2	S	Type
4,3/3	4,3/3	18	18	8	7	8	7	8	154M-4,3/3
5/3	4,3/3	18	18	8	7	8	7	8	154M-5/3-4,3/3
5/3	5/3	18	18	8	7	8	7	8	154M-5/3
6/4	6/4	21,5	21,5	11,5	10	11,5	10	8	154M-6/4
8/6	6/4	21,5	21,5	13,5	12	11,5	10	8	154M-8/6-6/4
8/6	8/6	21,5	21,5	13,5	12	13,5	12	8	154M-8/6
10/8	6/4	24	23	15,5	13	11,5	10	10	154M-10/8-6/4
10/8	8/6	24	23	15,5	13	13,5	12	10	154M-10/8-8/6
10/8	10/8	24	24	15,5	13	15,5	13	10	154M-10/8
12/9	12/9	29	29	17,5	15	17,5	15	13	154M-12/9
12/10	12/10	29	29	17,5	15	17,5	15	13	154M-12/10



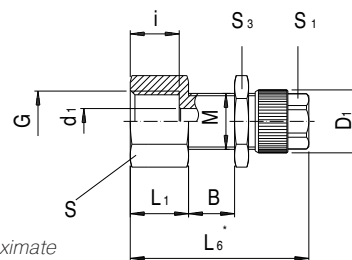
Push-on fittings

4.2.7
page 22



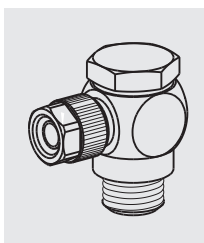
Bulkhead adaptor

Material: brass, nickel plated
MinimumTemp.: -40°C
Maximum pressure: 25 bar



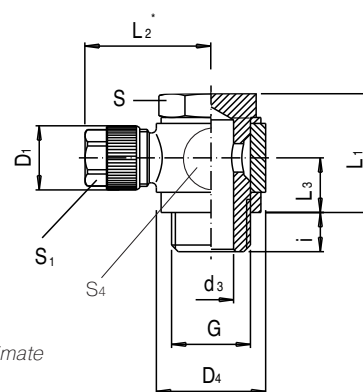
* L6 = approximate dimension

Hose-Ø	Port size G	M	B	L1	L6	i	d1	D1	S1	S3	S	Type
4,3/3	M5	M7x0,75	1-9	7	28	5	2,2	8	7	10	8	145M-4,3/3-M5
5/3	M5	M7x0,75	1-9	7	28	5	2,2	8	7	10	8	145M-5/3-M5
6/4	G 1/8"	M10x1	1-9	10	35,8	8	3,3	11,5	10	13	13	145M-6/4-1/8
8/6	G 1/4"	M12x1	1-9	12,5	38,3	10,5	5,5	13,5	12	17	17	145M-8/6-1/4
10/8	G 1/4"	M14x1	1-9	12,5	40,3	10,5	7	15,5	13	17	17	145M-10/8-1/4
12/9	G 3/8"	M16x1	1-9	13,5	42,3	11,5	7,6	17,5	15	19	19	145M-12/9-3/8



Elbow male adaptor, turn-able

Cylindrical, long
Material: brass, nickel plated
Seals: NBR, PA
MinimumTemp.: -40°C
Maximum pressure: 25 bar



* L2 = approximate dimension

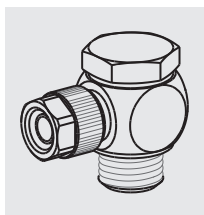
Hose-Ø	Port size G	i	L1	L2	L3	D1	S1	D4	S4	S	Type
4,3/3	G 1/8"	6,5	24	18	11,5	8	7		14	14	156M-4,3/3S-1/8N
5/3	G 1/8"	6,5	24	18	11,5	8	7		14	14	156M-5/3S-1/8N
6/4	G 1/8"	6,5	24	21	11,5	11,5	10		14	14	156M-6/4S-1/8N
6/4	G 1/4"	8	24,5	23	11,5	11,5	10		18	17	156M-6/4S-1/4N
6/4	G 3/8"	9	25	26,5	11,5	11,5	10	21		19	156M-6/4-3/8N
6/4	G 1/2"	10	25	29	11,5	11,5	10	26		27	156M-6/4-1/2N
8/6	G 1/8"	6,5	24	21	11,5	13,5	12		14	14	156M-8/6S-1/8N
8/6	G 1/4"	8	24,5	23	11,5	13,5	12		18	17	156M-8/6S-1/4N
8/6	G 3/8"	9	25	26,5	11,5	13,5	12	21		19	156M-8/6-3/8N
8/6	G 1/2"	10	25	29	11,5	13,5	12	26		27	156M-8/6-1/2N
10/8	G 1/8"	6,5	24	22,5	11,5	15,5	13		14	14	156M-10/8S-1/8N
10/8	G 1/4"	8	24,5	24,5	11,5	15,5	13		18	17	156M-10/8S-1/4N
10/8	G 3/8"	9	25	28	11,5	15,5	13	21		19	156M-10/8-3/8N
10/8	G 1/2"	10	25	30,5	11,5	15,5	13	26		27	156M-10/8-1/2N
12/9	G 3/8"	9	25	29,5	11,5	17,5	15	21		19	156M-12/9-3/8N
12/10	G 3/8"	9	25	29,5	11,5	17,5	15	21		19	156M-12/10-3/8N
12/10	G 1/2"	10	25	32	11,5	17,5	15	26		27	156M-12/10-1/2N



Push-on fittings

4.2.8

page 23



Elbow male adaptor, turn-able

Cylindrical, short

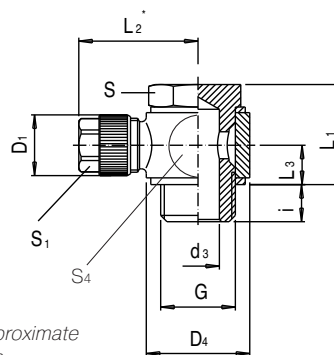
Material: brass, nickel plated

Seals: A: Aluminium

N: PA

MinimumTemp.: -40°C

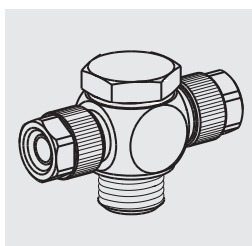
Maximum pressure: 25 bar



* L2 = approximate dimension

If requested with Aluminium seal, please replace the **N** in the type-number with an **A**.

Hose-Ø	Port size G	i	L1	L2	L3	D1	S1	D4	S4	S	Type
4,3/3	M5	4	14	15,5	5	8	7		9	8	152M-4,3/3S-M5N
4,3/3	G 1/8"	6,5	20	18	8	8	7		14	14	152M-4,3/3S-1/8N
5/3	M5	4	14	15,5	5	8	7		9	8	152M-5/3S-M5N
5/3	G 1/8"	6,5	20	18	8	8	7		14	14	152M-5/3S-1/8N
6/4	M5	4	14	16,5	5	9	8		9	8	152M-6/4S-M5N
6/4	G 1/8"	6,5	20	21	8	11,5	10		14	14	152M-6/4S-1/8N
6/4	G 1/4"	8	21	23	8	11,5	10		18	17	152M-6/4S-1/4N
6/4	G 3/8"	9	21,5	26,5	8	11,5	10	21		19	152M-6/4-3/8N
6/4	G 1/2"	10	21,5	29	8	11,5	10	26		27	152M-6/4-1/2N
8/6	G 1/8"	6,5	20	21	8	13,5	12		14	14	152M-8/6S-1/8N
8/6	G 1/4"	8	21	23	8	13,5	12		18	17	152M-8/6S-1/4N
8/6	G 3/8"	9	21,5	26,5	8	13,5	12	21		19	152M-8/6-3/8N
8/6	G 1/2"	10	21,5	29	8	13,5	12	26		27	152M-8/6-1/2N



T male adaptor, turn-able

Cylindrical, short

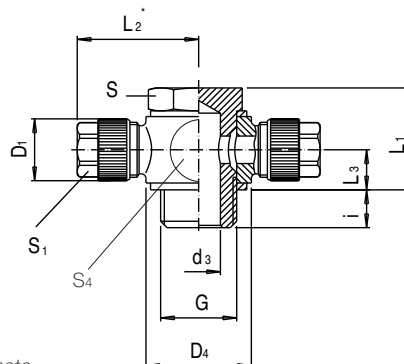
Material: brass, nickel plated

Seals: A: Aluminium

N: PA

MinimumTemp.: -40°C

Maximum pressure: 25 bar



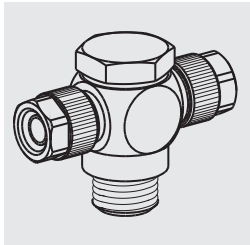
* L2 = approximate dimension

If requested with Aluminium seal, please replace the **N** in the type-number with an **A**.

Hose-Ø	Port size G	i	L1	L2	L3	D1	S1	D4	S4	S	Type
4,3/3	M5	4	14	15,5	5	8	7		9	8	153M-4,3/3S-M5N
4,3/3	G 1/8"	6,5	20	18	8	8	7		14	14	153M-4,3/3S-1/8N
5/3	M5	4	14	15,5	5	8	7		9	8	153M-5/3S-M5N
5/3	G 1/8"	6,5	20	19	8	8	7		14	14	153M-5/3S-1/8N
6/4	M5	4	14	16,5	5	9	8		9	8	153M-6/4S-M5N
6/4	G 1/8"	6,5	20	21	8	11,5	10		14	14	153M-6/4S-1/8N
6/4	G 1/4"	8	21	23	8	11,5	10		18	17	153M-6/4S-1/4N
6/4	G 3/8"	9	21,5	26,5	8	11,5	10	21		19	153M-6/4-3/8N
6/4	G 1/2"	10	21,5	29	8	11,5	10	26		27	153M-6/4-1/2N
8/6	G 1/8"	6,5	20	21	8	13,5	12		14	14	153M-8/6S-1/8N
8/6	G 1/4"	8	21	23	8	13,5	12		18	17	153M-8/6S-1/4N
8/6	G 3/8"	9	21,5	26,5	8	13,5	12	21		19	153M-8/6-3/8N
8/6	G 1/2"	10	21,5	29	8	13,5	12	26		27	153M-8/6-1/2N

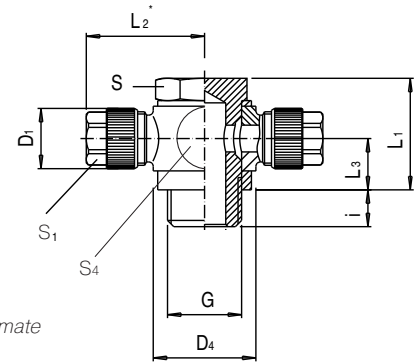


Push-on fittings



T male adaptor, turn-able

Cylindrical, long
Material: brass, nickel plated
Seals: PA
Minimum Temp.: -40°C
Maximum pressure: 25 bar



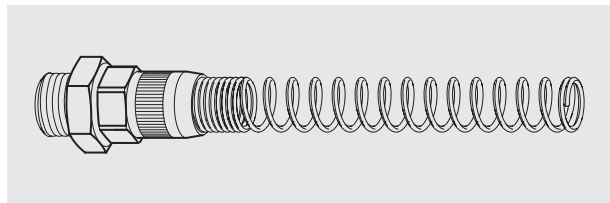
* L2 = approximate dimension

Hose-Ø	Port size G	i	L1	L2	L3	D1	S1	D4	S4	S	Type
4,3/3	G 1/8"	6,5	24	18	11,5	8	7		14	14	157M-4,3/3S-1/8N
5/3	G 1/8"	6,5	24	18	11,5	8	7		14	14	157M-5/3S-1/8N
6/4	G 1/8"	6,5	24	21	11,5	11,5	10		14	14	157M-6/4S-1/8N
6/4	G 1/4"	8	24,5	23	11,5	11,5	10		18	17	157M-6/4S-1/4N
6/4	G 3/8"	9	25	26,5	11,5	11,5	10	21		19	157M-6/4-3/8N
6/4	G 1/2"	10	25	29	11,5	11,5	10	26		27	157M-6/4-1/2N
8/6	G 1/8"	6,5	24	21	11,5	13,5	12		14	14	157M-8/6S-1/8N
8/6	G 1/4"	8	24,5	23	11,5	13,5	12		18	17	157M-8/6S-1/4N
8/6	G 3/8"	9	25	26,5	11,5	13,5	12	21		19	157M-8/6-3/8N
8/6	G 1/2"	10	25	29	11,5	13,5	12	26		27	157M-8/6-1/2N
10/8	G 1/8"	6,5	24	22,5	11,5	15,5	13		14	14	157M-10/8S-1/8N
10/8	G 1/4"	8	24,5	24,5	11,5	15,5	13		18	17	157M-10/8S-1/4N
10/8	G 3/8"	9	25	28	11,5	15,5	13	21		19	157M-10/8-3/8N
10/8	G 1/2"	10	25	30,5	11,5	15,5	13	26		27	157M-10/8-1/2N

Push-on fittings

4.2.10

page 25



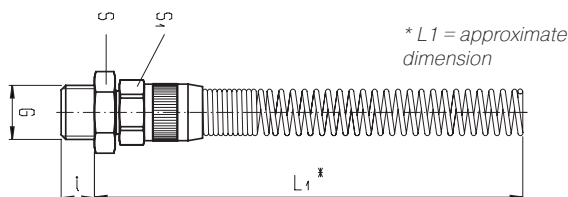
Straight male adaptor with spring

Cylindrical

Material: brass, nickel plated

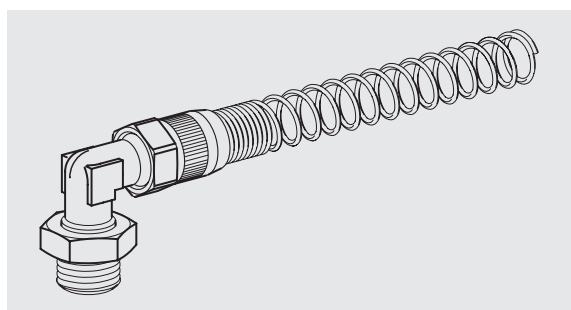
Minimum Temp,: -40°C

Maximum pressure: 25 bar



Swivel or conical versions on request,

Hose-Ø	Port size G	i	L1	S1	S	Type
6/4	G 1/8"	6	102	12	13	151M-6/4KS-1/8
6/4	G 1/4"	8	103	12	17	151M-6/4KS-1/4
6/4	G 3/8"	9	103	12	19	151M-6/4KS-3/8
6/4	G 1/2"	10	103	12	24	151M-6/4KS-1/2
8/6	G 1/8"	6	103	14	13	151M-8/6KS-1/8
8/6	G 1/4"	8	103	14	17	151M-8/6KS-1/4
8/6	G 3/8"	9	104	14	19	151M-8/6KS-3/8
8/6	G 1/2"	10	104	14	24	151M-8/6KS-1/2
10/8	G 1/8"	6	104	16	14	151M-10/8KS-1/8
10/8	G 1/4"	8	104	16	17	151M-10/8KS-1/4
10/8	G 3/8"	9	104	16	19	151M-10/8KS-3/8
10/8	G 1/2"	10	105	16	24	151M-10/8KS-1/2
12/9	G 1/4"	8	104	19	17	151M-12/9KS-1/4
12/9	G 3/8"	9	104	19	19	151M-12/9KS-3/8
12/10	G 3/8"	9	104	19	24	151M-12/10KS-3/8
12/10	G 1/2"	10	105	19	24	151M-12/10KS-1/2



Elbow male adaptor with spring, swivel

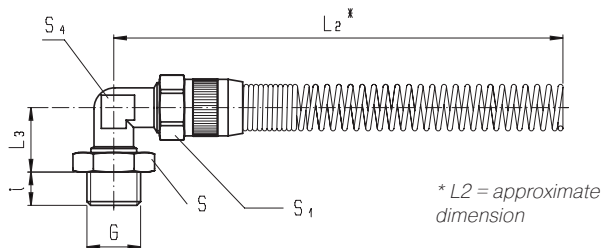
Cylindrical

Material: brass, nickel plated

Seals: NBR

Temperature range: -20°C ...+80°C

Maximum pressure: 12 bar



Conical versions on request.

Hose-Ø	Port size G	i	L2	L3	S1	S4	S	Type
6/4	G 1/8"	6	107	14,5	12	10	13	130M-6/4KS-1/8
6/4	G 1/4"	8	107	14,5	12	10	17	130M-6/4KS-1/4
8/6	G 1/8"	6	108	14,5	14	10	13	130M-8/6KS-1/8
8/6	G 1/4"	8	108	14,5	14	10	17	130M-8/6KS-1/4
10/8	G 1/4"	8	107	14,5	16	10	17	130M-10/8KS-1/4

